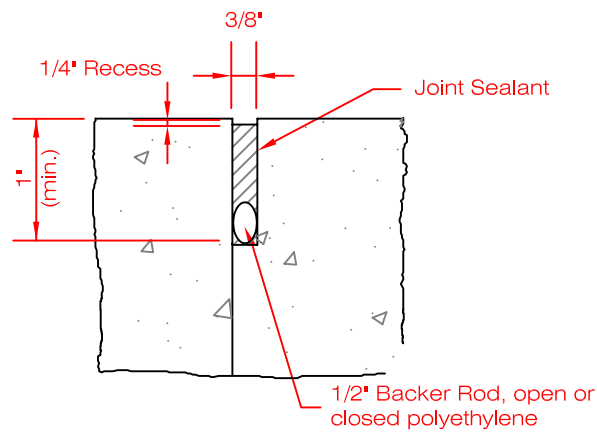
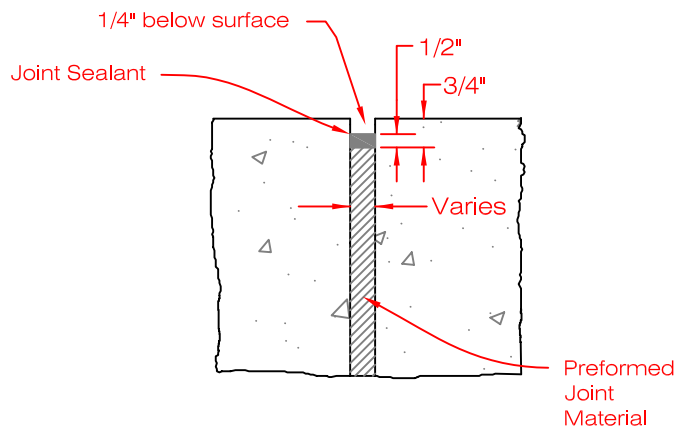


SAWED JOINT ◁ S



SEAL AT CONSTRUCTION JOINT ◁ SC



SEAL AT EXPANSION JOINT ◁ SE

DATE: 5/05

CITY & COUNTY OF DENVER

PUBLIC WORKS

STD. DWG NO.

CONCRETE PAVEMENT JOINT SEALANT



11.3