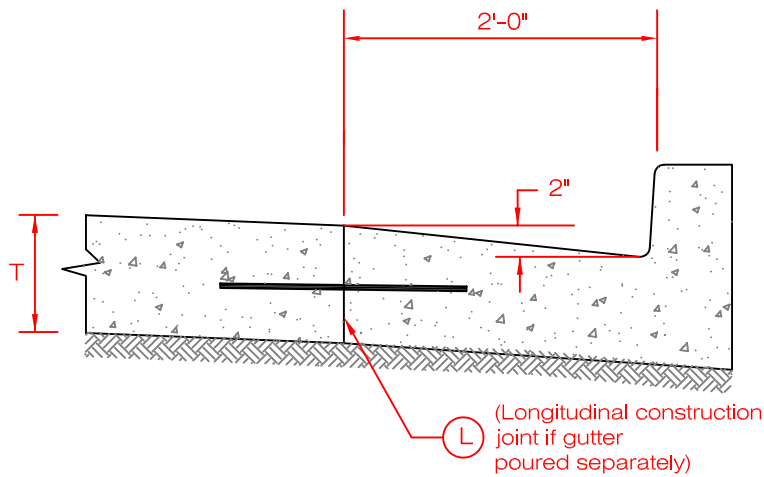
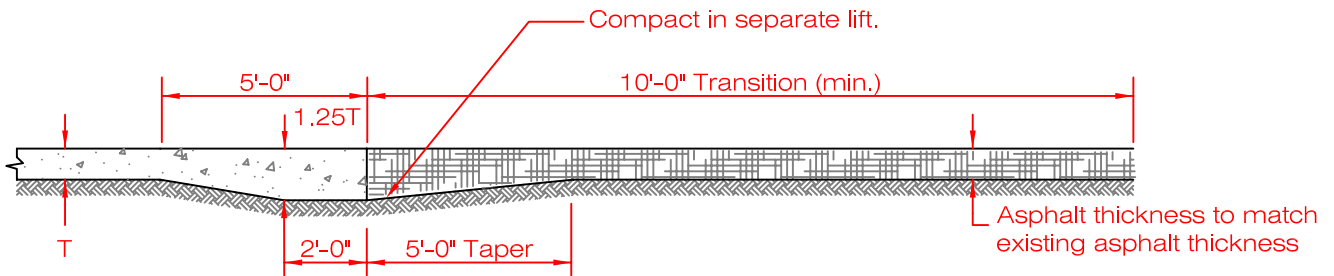


MATCH EXISTING CURB AND GUTTER



CONCRETE PAVEMENT CURB AND GUTTER



CONCRETE PAVEMENT TO ASPHALT PAVEMENT TRANSITION

DATE: 5/05

CITY & COUNTY OF DENVER

PUBLIC WORKS

STD. DWG NO.

CONCRETE PAVEMENT MISCELLANEOUS DETAILS



11.4