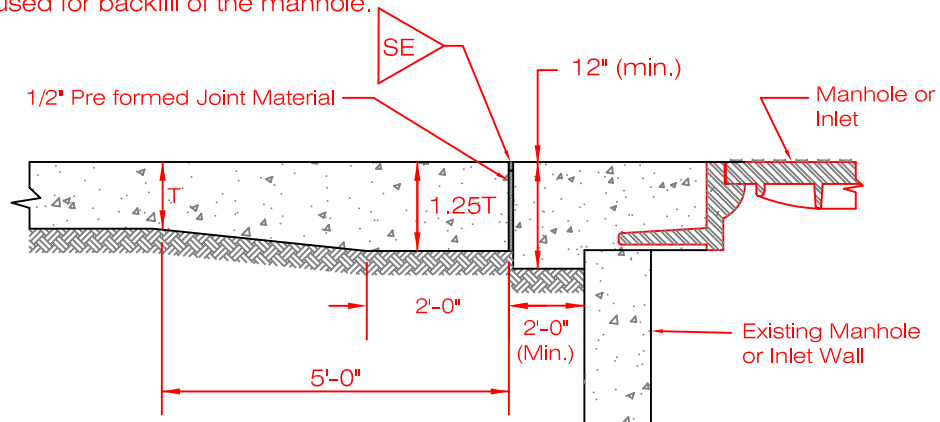


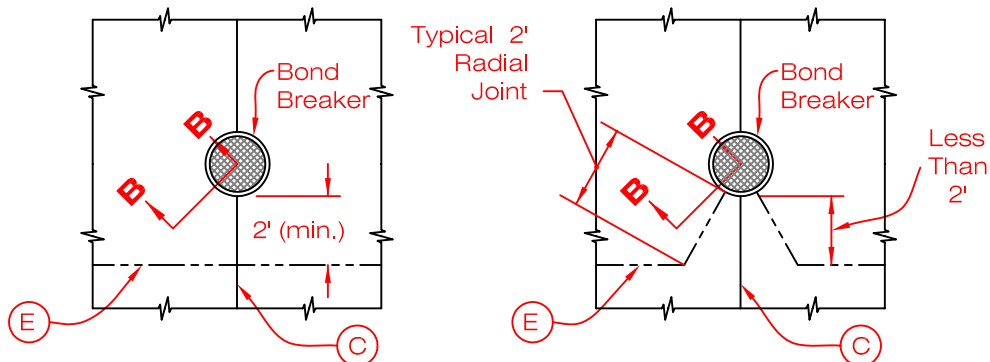
BOXOUT AT NEW MANHOLE*

* Unless otherwise directed, the boxout may be eliminated if flowfill is used for backfill of the manhole.

BOXOUT AT INLET

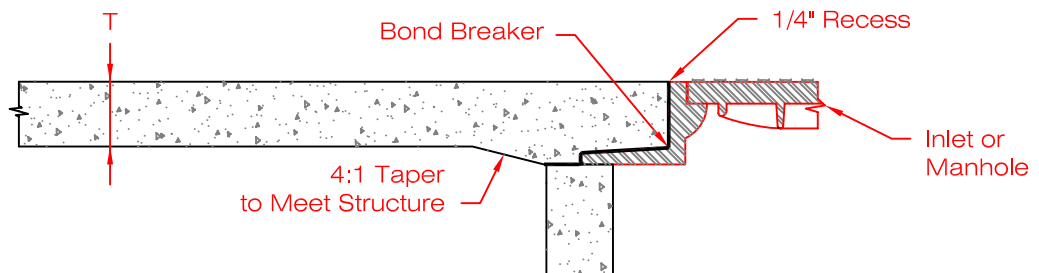


SECTION A-A BOX OUT



EXISTING MANHOLE

Bond Breaker shall be composed of plastic sheet, building paper, or other approved material to prevent bonding.



SECTION B-B

DATE: 5/05