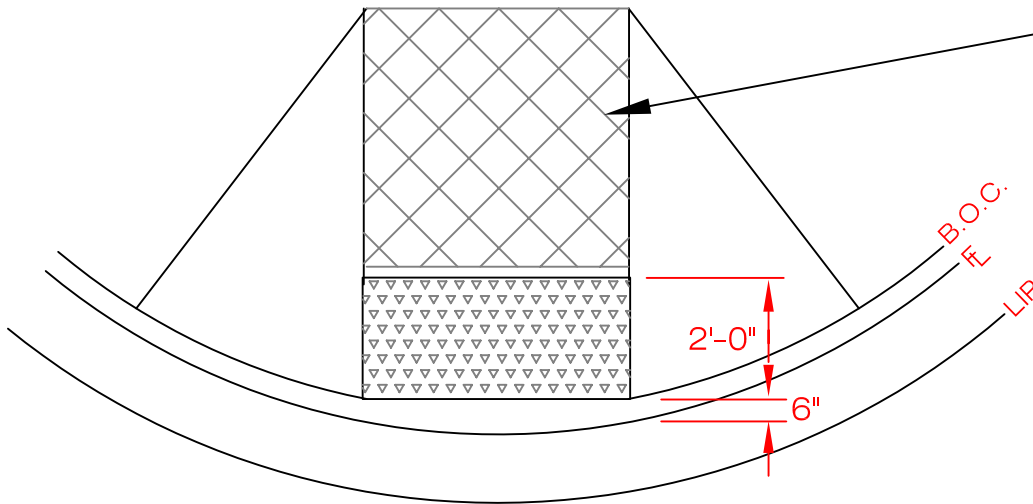


TYPE 1

Dummy joints to provide direction cut for street crossing.  
 Deflect joints as necessary to align joints with direction of travel.



TYPE 2

DATE: 5/05

CITY & COUNTY OF DENVER

PUBLIC WORKS

STD. DWG NO.

CURB RAMP TRUNCATED DOMES



7.5