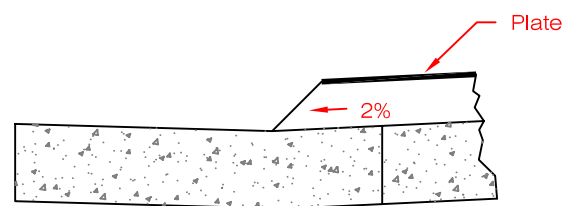
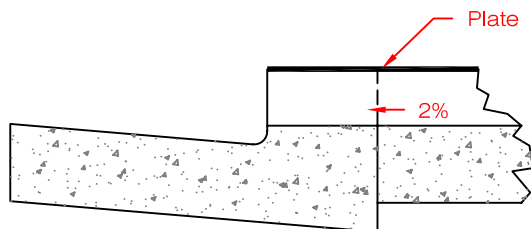
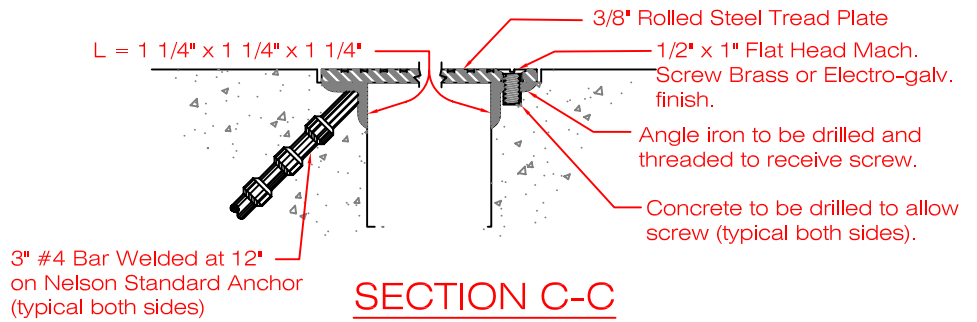


**NOTES:**

1. Length of steel plate varies.
2. Chase and cover plate run from Property Line to flow line unless approved by the Engineer.



6" VERTICAL CURB, GUTTER, AND SIDEWALK

COMBINATION CURB, GUTTER, AND SIDEWALK

**SECTION A-A (2 VIEWS)**

DATE: 5/05

CITY & COUNTY OF DENVER

PUBLIC WORKS

STD. DWG NO.

SIDEWALK CHASE DRAIN AND TREAD PLATE



9.0