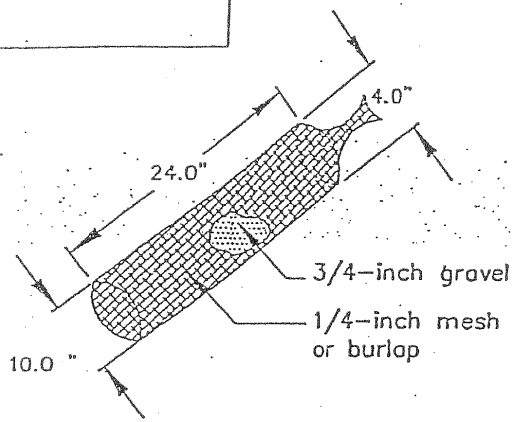
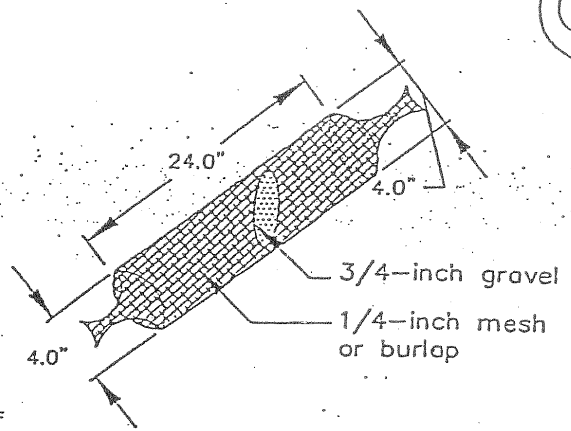


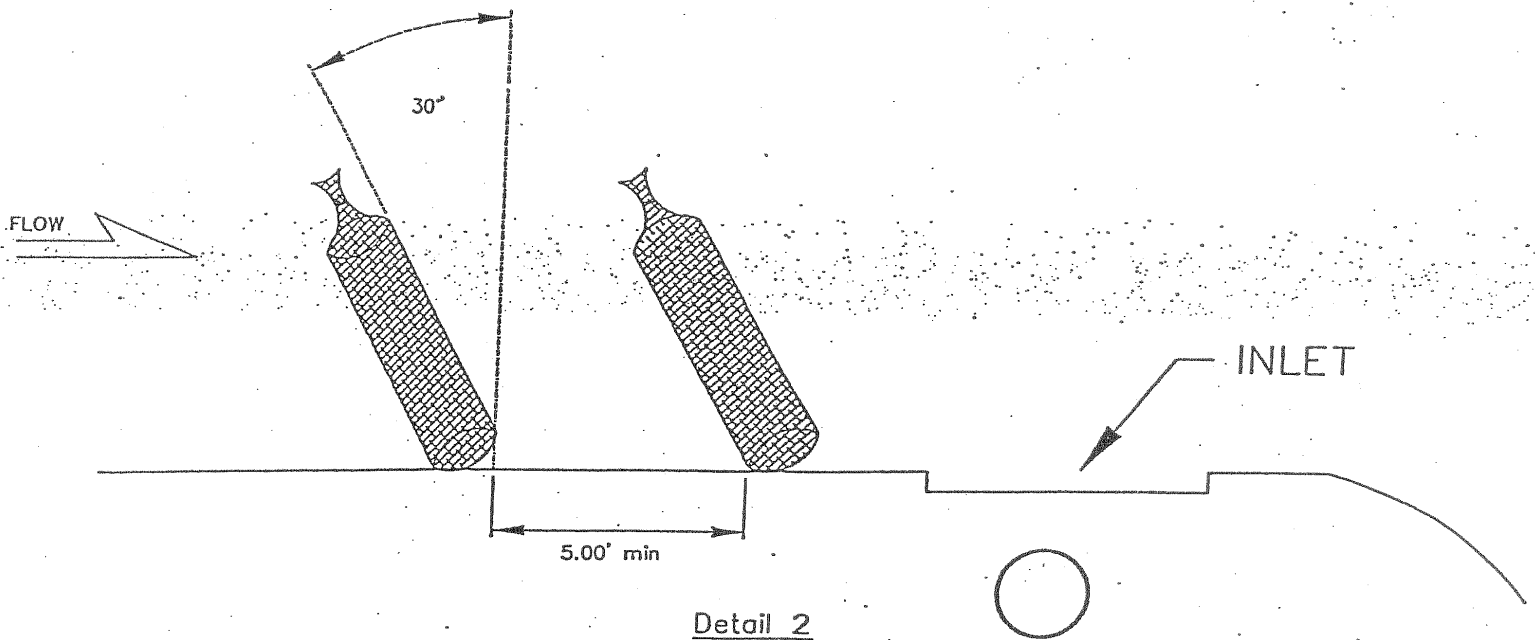
CS



OR



Detail 1



Detail 2

NOTES:

- 1) Socks will be used upgradient of inlet perpendicular to and flush with curb.
- 2) No less than two 10-inch diameter socks must be used in sequence, spaced no more than five feet apart, upgradient of inlet. No less than six socks shall be used if the 4-inch sock size is chosen.
- 3) Incline at 30 degrees from perpendicular, opposite the direction of flow (see Detail 2).
- 4) Erosion control measures shall be maintained at all times as directed by the local jurisdiction.

Details based on those provided to District by City of Lakewood, Colorado

Urban Drainage and  
Flood Control District

Drainage Criteria Manual (V.3)  
File: CS.dwg

Figure C-27

Inlet Protection- Curb Sock