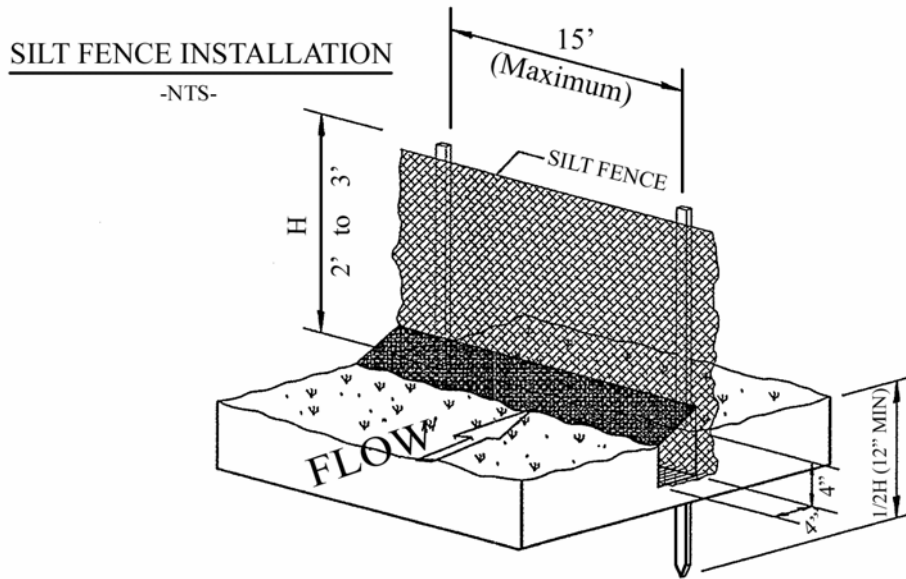




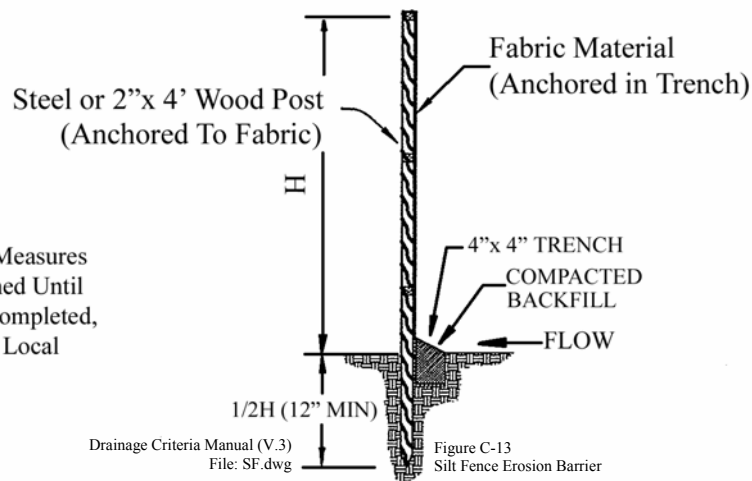
10. Silt Fence Erosion Barrier

Definition: A temporary sediment barrier consisting of a filter fabric stretched across and attached to supporting posts and entrenched. The silt fence is a temporary linear filter barrier constructed of synthetic filter fabric and supported by wooden or steel posts.

- Purposes:**
1. To intercept and detain small amounts of sediment from disturbed areas during construction operations in order to reduce sediment in runoff from leaving the site.
 2. To decrease the velocity of sheet flows and low-to-moderate level concentrated flows.



SECTION
-NTS-



Note:
Erosion Control Measures
Shall be Maintained Until
Landscaping is Completed,
or as Directed by Local
Jurisdiction

Drainage Criteria Manual (V.3)
File: SF.dwg

Details provided to District by the City of Broomfield, Colorado

Page 23-13

