

CITY AND COUNTY OF DENVER
DEPARTMENT OF PUBLIC WORKS

CONTRACT NO.: 201844411
PROJECT NAME: DFD Headquarters Generator Installation Project

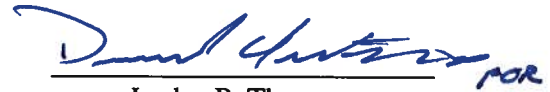
ADDENDUM NO. 1 TO CONTRACT DOCUMENTS

Bidders are hereby instructed that the drawings, specifications, and other contract documents are modified, corrected, supplemented and/or superseded for the above-mentioned project as hereinafter described in the following attachments:

CONSTRUCTION PLAN SET

1. Construction plan set is attached to this Addendum.

This ADDENDUM shall be attached to, become a part of, and be returned with the Bid Proposal.



Lesley B. Thomas
City Engineer

9/24/18

Date

The undersigned bidder acknowledges receipt of this Addendum. The Proposal submitted herewith is in accordance with the stipulations set forth herein.

Contractor

ADDENDUM NO. 1

Date

Department of Public Works

FACILITIES GENERATOR INSTALLATION PROJECT

DENVER FIRE DEPARTMENT
745 W. COLFAX AVE, DENVER CO 80204
100% Construction Documents



SEH
1515 W. WYOMING ST., SUITE 200
DENVER, CO 80202
TEL: 303.733.1234
WWW.SEHENGINEERS.COM

FACILITIES GENERATOR
INSTALLATION PROJECT
DENVER FIRE DEPARTMENT
745 W. COLFAX AVE, DENVER CO 80204

DATE: 06/11/18
DRAWN BY: J. HARRIS
CHECKED BY: J. HARRIS
APPROVED BY: J. HARRIS
SCALE: AS SHOWN
SHEET NO.: 000
PROJECT NO.: 18-000

COPYRIGHT © 2018

G 000

PROJECT DIRECTORY

OWNER



Department of Public Works
201 W. Colfax Ave, Dept 306
Denver, Colorado 80202
720.913.4511

DENVER
THE BLUE MOUNTAIN CITY

ARCHITECT / CIVIL ENGINEER / STRUCTURAL ENGINEER



Short Elliot Hendrickson, Inc.
2000 South Colorado Boulevard
Tower One, Suite 6000
Denver, Colorado 80222
720.540.6900

ELECTRICAL ENGINEER



GMO Consulting Engineers, LLC.
11646 Sun Bear Trail
Golden, Colorado 80304
303.675.4037

DRAWING INDEX

GENERAL

0-00 COVER SHEET

CIVIL

C-01 GENERAL NOTES
C-02 SITE PLAN
C-03 UTILITIES

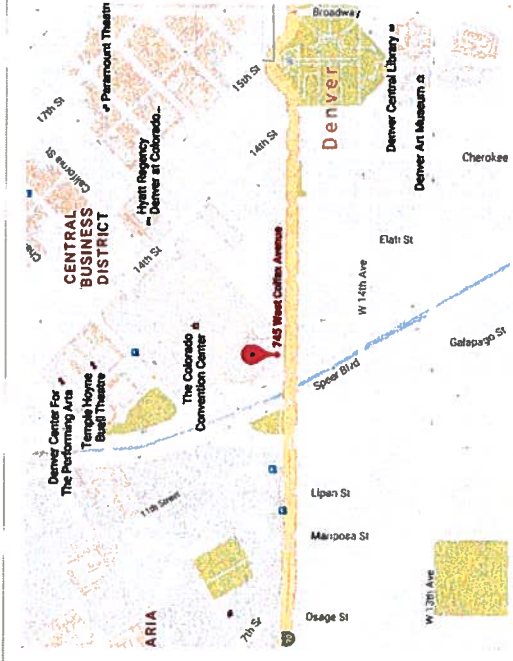
STRUCTURAL

S-01 SEE ELECTRICAL DETAILS

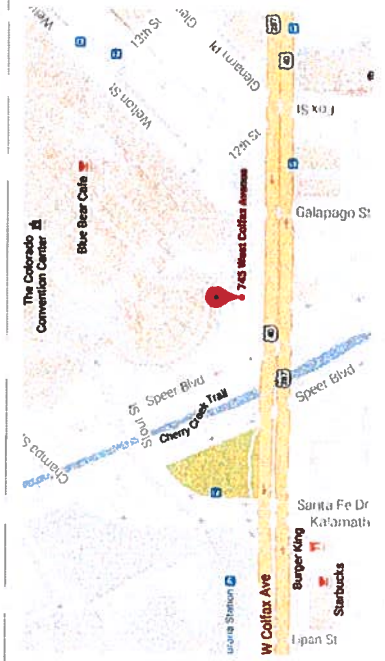
ELECTRICAL

E-01 GENERAL NOTES AND DETAILS
E-02 PANEL SCHEDULE
E-03 WIRING DIAGRAM

VICINITY MAP



LOCATION MAP



CITY AND COUNTY OF DENVER
DEPARTMENT OF PUBLIC WORKS

APPROVED BY: [Signature]
DIRECTOR OF PUBLIC WORKS
DATE: 6-4-18

APPROVED BY: [Signature]
DIRECTOR OF BUSINESS DEVELOPMENT
DATE: 5-29-18

APPROVED BY: [Signature]
CITY MANAGER
DATE: 6/23/18

OWNER:
Department of Public Works
1500 Stout Street
Denver, CO 80202

ARCHITECT:
Sloan Electric Holdings, Inc.
3000 W. 11th Street
Denver, CO 80202
781.333.0000

GENERAL CONTRACTOR:
Sloan Electric Holdings, Inc.
3000 W. 11th Street
Denver, CO 80202
781.333.0000

PROJECT ENGINEER:
Sloan Electric Holdings, Inc.
3000 W. 11th Street
Denver, CO 80202
781.333.0000

DATE:
11/25/2011

Facilities Generator Installation Project

745 W. Colfax Ave., Denver, CO 80204

PROJECT NO.: 11-001

DATE: 11/25/2011

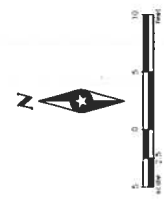
SCALE: AS SHOWN

DESIGNED BY: [Name]

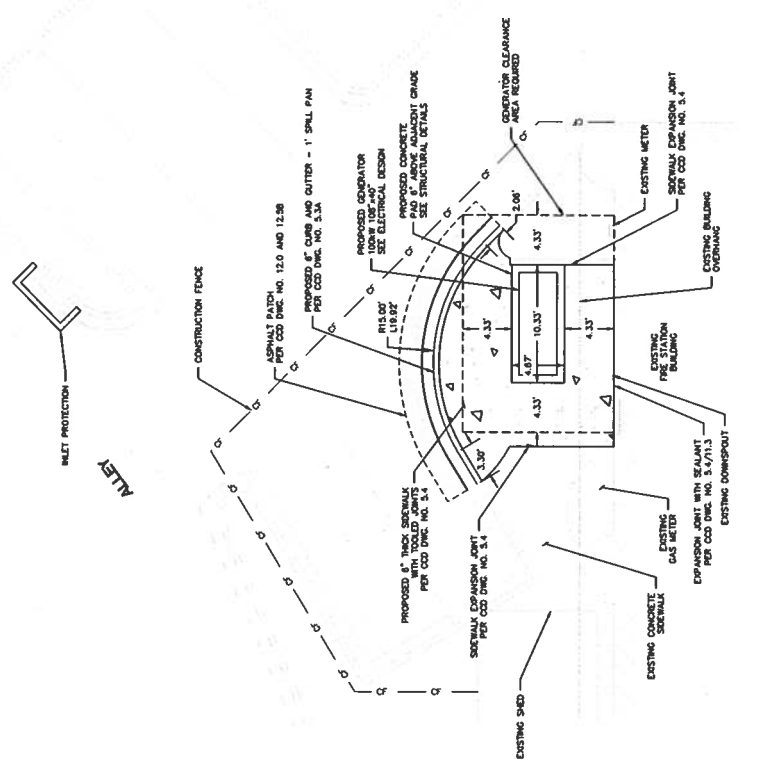
CHECKED BY: [Name]

APPROVED BY: [Name]

DATE: 11/25/2011



- LEGEND:**
- PROPOSED CONCRETE
 - ASPHALT PATCH AREA
 - PROPOSED CURB HEAD
 - GENERATOR CLEARANCE AREA REQUIRED
 - CONSTRUCTION FENCE
- NOTES:**
- CONTRACTOR TO ADJUST EXISTING IRIGATION FOR PROPOSED LANDSCAPE.
 - CONTRACTOR TO PROVIDE JOINING PLAN FOR CITY REVIEW AND APPROVAL.
 - COMPACT SUB-GRADE BELOW PROPOSED CONCRETE TO 55% STANDARD PROCTOR.
 - SEE GRADING NOTES ON SHEET C 101.



ELECTRICAL LEGEND

SYMBOL	DESCRIPTION	SYMBOL	DESCRIPTION
	Lighting		Panel Alarm System
	Circuit Breaker		Terminal Block
	Switch		Relay
	Motor		Control Circuit
	Transformer		Grounding
	Grounding		Transfer Switch
	Transfer Switch		Generator
	Generator		Control Panel
	Control Panel		Wiring Detail

GENERAL NOTES:

1. ALL ELECTRICAL WORK SHALL BE IN ACCORDANCE WITH THE NATIONAL ELECTRICAL CODE (NEC) AND ALL APPLICABLE LOCAL, STATE AND FEDERAL REGULATIONS.
2. THE CONTRACTOR SHALL BE RESPONSIBLE FOR OBTAINING ALL NECESSARY PERMITS AND APPROVALS FROM THE APPROPRIATE AGENCIES.
3. ALL ELECTRICAL WORK SHALL BE INSTALLED IN ACCORDANCE WITH THE MANUFACTURER'S INSTRUCTIONS AND THE NATIONAL ELECTRICAL CODE (NEC).
4. THE CONTRACTOR SHALL BE RESPONSIBLE FOR OBTAINING ALL NECESSARY PERMITS AND APPROVALS FROM THE APPROPRIATE AGENCIES.
5. ALL ELECTRICAL WORK SHALL BE INSTALLED IN ACCORDANCE WITH THE MANUFACTURER'S INSTRUCTIONS AND THE NATIONAL ELECTRICAL CODE (NEC).
6. THE CONTRACTOR SHALL BE RESPONSIBLE FOR OBTAINING ALL NECESSARY PERMITS AND APPROVALS FROM THE APPROPRIATE AGENCIES.
7. ALL ELECTRICAL WORK SHALL BE INSTALLED IN ACCORDANCE WITH THE MANUFACTURER'S INSTRUCTIONS AND THE NATIONAL ELECTRICAL CODE (NEC).
8. THE CONTRACTOR SHALL BE RESPONSIBLE FOR OBTAINING ALL NECESSARY PERMITS AND APPROVALS FROM THE APPROPRIATE AGENCIES.
9. ALL ELECTRICAL WORK SHALL BE INSTALLED IN ACCORDANCE WITH THE MANUFACTURER'S INSTRUCTIONS AND THE NATIONAL ELECTRICAL CODE (NEC).
10. THE CONTRACTOR SHALL BE RESPONSIBLE FOR OBTAINING ALL NECESSARY PERMITS AND APPROVALS FROM THE APPROPRIATE AGENCIES.
11. ALL ELECTRICAL WORK SHALL BE INSTALLED IN ACCORDANCE WITH THE MANUFACTURER'S INSTRUCTIONS AND THE NATIONAL ELECTRICAL CODE (NEC).
12. THE CONTRACTOR SHALL BE RESPONSIBLE FOR OBTAINING ALL NECESSARY PERMITS AND APPROVALS FROM THE APPROPRIATE AGENCIES.
13. ALL ELECTRICAL WORK SHALL BE INSTALLED IN ACCORDANCE WITH THE MANUFACTURER'S INSTRUCTIONS AND THE NATIONAL ELECTRICAL CODE (NEC).
14. THE CONTRACTOR SHALL BE RESPONSIBLE FOR OBTAINING ALL NECESSARY PERMITS AND APPROVALS FROM THE APPROPRIATE AGENCIES.
15. ALL ELECTRICAL WORK SHALL BE INSTALLED IN ACCORDANCE WITH THE MANUFACTURER'S INSTRUCTIONS AND THE NATIONAL ELECTRICAL CODE (NEC).
16. THE CONTRACTOR SHALL BE RESPONSIBLE FOR OBTAINING ALL NECESSARY PERMITS AND APPROVALS FROM THE APPROPRIATE AGENCIES.
17. ALL ELECTRICAL WORK SHALL BE INSTALLED IN ACCORDANCE WITH THE MANUFACTURER'S INSTRUCTIONS AND THE NATIONAL ELECTRICAL CODE (NEC).
18. THE CONTRACTOR SHALL BE RESPONSIBLE FOR OBTAINING ALL NECESSARY PERMITS AND APPROVALS FROM THE APPROPRIATE AGENCIES.
19. ALL ELECTRICAL WORK SHALL BE INSTALLED IN ACCORDANCE WITH THE MANUFACTURER'S INSTRUCTIONS AND THE NATIONAL ELECTRICAL CODE (NEC).
20. THE CONTRACTOR SHALL BE RESPONSIBLE FOR OBTAINING ALL NECESSARY PERMITS AND APPROVALS FROM THE APPROPRIATE AGENCIES.

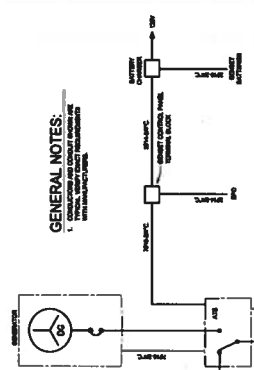


SEH
 10000 North 10th Street
 Suite 100
 Denver, CO 80231
 Phone: (303) 750-1000
 Fax: (303) 750-1001
 Email: info@seh.com

Facilities Generator
 Installation Project
 745 W. Colfax Ave., Denver, CO 80202

Project No.	10000
Revision No.	1
Revision Description	Initial Issue
Author	J. Smith
Checker	M. Jones
Apprver	K. Brown
Date	10/10/2010

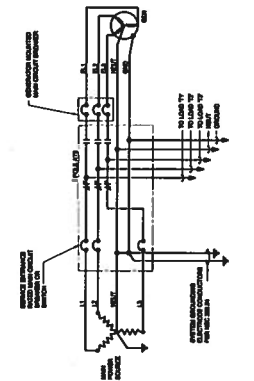
SHEET NAME
E 101



GENERAL NOTES:

1. CONSULT THE MANUFACTURER'S INSTRUCTIONS FOR WIRING DETAILS.

GENERATOR CONTROL WIRING DETAIL

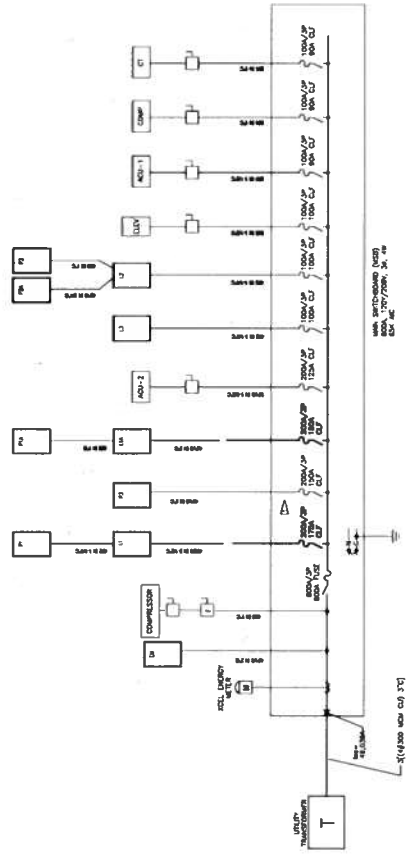


GENERATOR TRANSFER SWITCH - 3 POLE

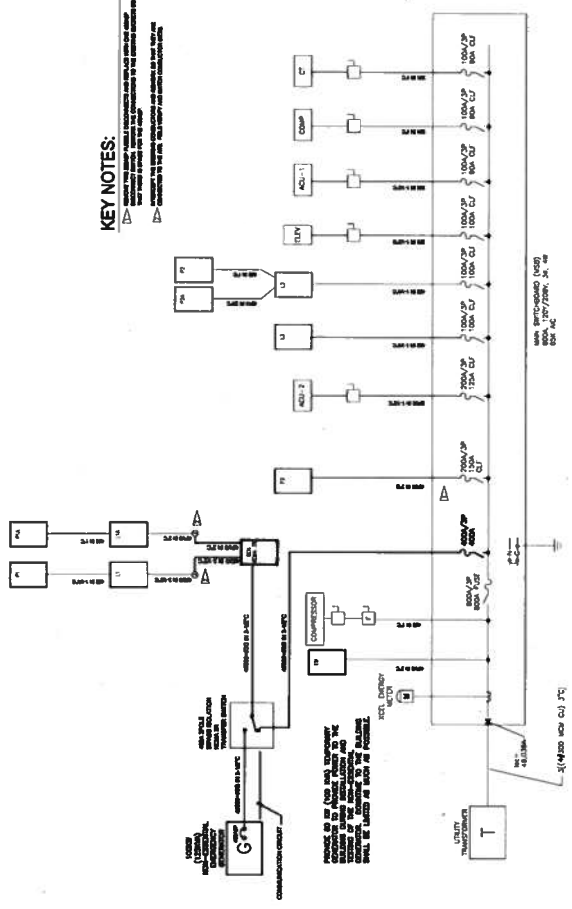


PANELBOARD NAMEPLATE DETAIL

SCALE: 1/8" = 1'-0"
 1. SEE SPECIFICATIONS FOR ADDITIONAL NAMEPLATE INFORMATION.
 2. SEE ELECTRICAL CODES FOR WIRING DETAILS.



ELECTRICAL ONE-LINE DIAGRAM - DEMO
 SCALE: NO SCALE



ELECTRICAL ONE-LINE DIAGRAM - NEW
 SCALE: NO SCALE

KEY NOTES:

- 1. ALL VOLTAGE RANGES INDICATED IN THIS DIAGRAM ARE NOMINAL VALUES. THE ACTUAL VOLTAGE RANGE WILL VARY DUE TO VOLTAGE DROPS AND OTHER FACTORS.
- 2. ALL CURRENT RANGES INDICATED IN THIS DIAGRAM ARE NOMINAL VALUES. THE ACTUAL CURRENT RANGE WILL VARY DUE TO LOAD VARIATIONS AND OTHER FACTORS.
- 3. ALL PHASES ARE INDICATED BY THE LETTERS A, B, AND C.
- 4. ALL WIRING SHALL BE IN ACCORDANCE WITH THE NATIONAL ELECTRICAL CODE (NEC) AND ALL LOCAL CODES.
- 5. ALL EQUIPMENT SHALL BE LISTED AND APPROVED BY THE NATIONAL FIRE PROTECTION ASSOCIATION (NFPA).
- 6. ALL EQUIPMENT SHALL BE INSTALLED IN ACCORDANCE WITH THE MANUFACTURER'S INSTRUCTIONS.
- 7. ALL EQUIPMENT SHALL BE MAINTAINED IN ACCORDANCE WITH THE MANUFACTURER'S INSTRUCTIONS.
- 8. ALL EQUIPMENT SHALL BE TESTED IN ACCORDANCE WITH THE MANUFACTURER'S INSTRUCTIONS.
- 9. ALL EQUIPMENT SHALL BE LABELLED IN ACCORDANCE WITH THE MANUFACTURER'S INSTRUCTIONS.
- 10. ALL EQUIPMENT SHALL BE GROUNDED IN ACCORDANCE WITH THE MANUFACTURER'S INSTRUCTIONS.

LOADS (LOAD LIST)

NO.	DESCRIPTION	VOLTS	PHASES	KVA	AMPS
1	COMPRESSOR	480	3	1000	1200
2	CELL ENERGY	480	3	1000	1200
3	ACU-1	480	3	1000	1200
4	ACU-2	480	3	1000	1200
5	ACU-3	480	3	1000	1200
6	ACU-4	480	3	1000	1200
7	ACU-5	480	3	1000	1200
8	ACU-6	480	3	1000	1200
9	ACU-7	480	3	1000	1200
10	ACU-8	480	3	1000	1200
11	ACU-9	480	3	1000	1200
12	ACU-10	480	3	1000	1200

LOADS (LOAD LIST)

NO.	DESCRIPTION	VOLTS	PHASES	KVA	AMPS
1	COMPRESSOR	480	3	1000	1200
2	CELL ENERGY	480	3	1000	1200
3	ACU-1	480	3	1000	1200
4	ACU-2	480	3	1000	1200
5	ACU-3	480	3	1000	1200
6	ACU-4	480	3	1000	1200
7	ACU-5	480	3	1000	1200
8	ACU-6	480	3	1000	1200
9	ACU-7	480	3	1000	1200
10	ACU-8	480	3	1000	1200
11	ACU-9	480	3	1000	1200
12	ACU-10	480	3	1000	1200

LOADS (LOAD LIST)

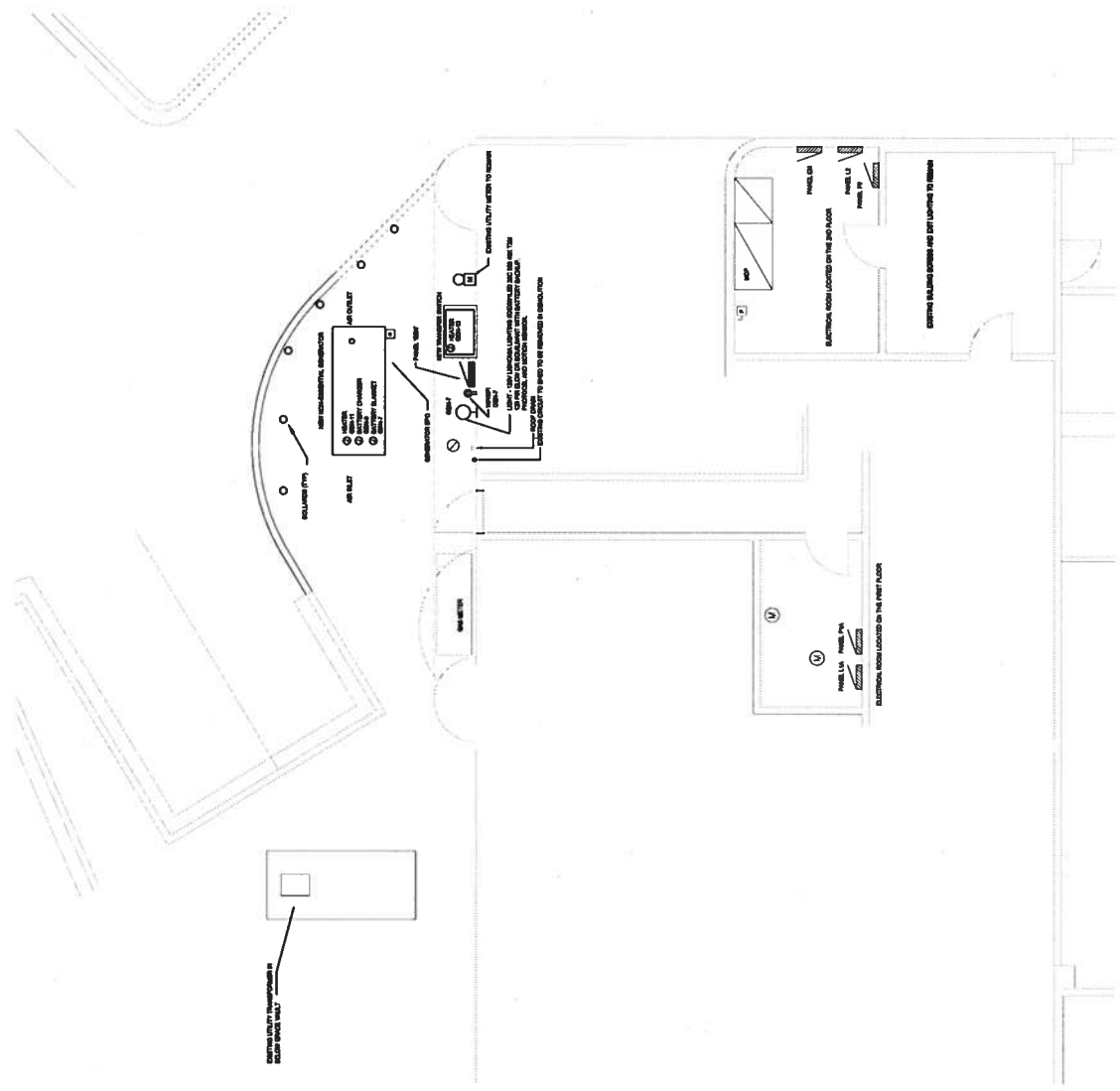
NO.	DESCRIPTION	VOLTS	PHASES	KVA	AMPS
1	COMPRESSOR	480	3	1000	1200
2	CELL ENERGY	480	3	1000	1200
3	ACU-1	480	3	1000	1200
4	ACU-2	480	3	1000	1200
5	ACU-3	480	3	1000	1200
6	ACU-4	480	3	1000	1200
7	ACU-5	480	3	1000	1200
8	ACU-6	480	3	1000	1200
9	ACU-7	480	3	1000	1200
10	ACU-8	480	3	1000	1200
11	ACU-9	480	3	1000	1200
12	ACU-10	480	3	1000	1200

DEMOLITION NOTES:

- DEMOLITION SHALL BE IN ACCORDANCE WITH THE CITY OF AURORA DEMOLITION ORDINANCE AND THE COLORADO DEMOLITION ACT. ALL DEMOLITION SHALL BE PERFORMED IN ACCORDANCE WITH THE CITY OF AURORA DEMOLITION ORDINANCE AND THE COLORADO DEMOLITION ACT. ALL DEMOLITION SHALL BE PERFORMED IN ACCORDANCE WITH THE CITY OF AURORA DEMOLITION ORDINANCE AND THE COLORADO DEMOLITION ACT.
- ALL DEMOLITION SHALL BE PERFORMED IN ACCORDANCE WITH THE CITY OF AURORA DEMOLITION ORDINANCE AND THE COLORADO DEMOLITION ACT. ALL DEMOLITION SHALL BE PERFORMED IN ACCORDANCE WITH THE CITY OF AURORA DEMOLITION ORDINANCE AND THE COLORADO DEMOLITION ACT.
- ALL DEMOLITION SHALL BE PERFORMED IN ACCORDANCE WITH THE CITY OF AURORA DEMOLITION ORDINANCE AND THE COLORADO DEMOLITION ACT. ALL DEMOLITION SHALL BE PERFORMED IN ACCORDANCE WITH THE CITY OF AURORA DEMOLITION ORDINANCE AND THE COLORADO DEMOLITION ACT.
- ALL DEMOLITION SHALL BE PERFORMED IN ACCORDANCE WITH THE CITY OF AURORA DEMOLITION ORDINANCE AND THE COLORADO DEMOLITION ACT. ALL DEMOLITION SHALL BE PERFORMED IN ACCORDANCE WITH THE CITY OF AURORA DEMOLITION ORDINANCE AND THE COLORADO DEMOLITION ACT.
- ALL DEMOLITION SHALL BE PERFORMED IN ACCORDANCE WITH THE CITY OF AURORA DEMOLITION ORDINANCE AND THE COLORADO DEMOLITION ACT. ALL DEMOLITION SHALL BE PERFORMED IN ACCORDANCE WITH THE CITY OF AURORA DEMOLITION ORDINANCE AND THE COLORADO DEMOLITION ACT.
- ALL DEMOLITION SHALL BE PERFORMED IN ACCORDANCE WITH THE CITY OF AURORA DEMOLITION ORDINANCE AND THE COLORADO DEMOLITION ACT. ALL DEMOLITION SHALL BE PERFORMED IN ACCORDANCE WITH THE CITY OF AURORA DEMOLITION ORDINANCE AND THE COLORADO DEMOLITION ACT.
- ALL DEMOLITION SHALL BE PERFORMED IN ACCORDANCE WITH THE CITY OF AURORA DEMOLITION ORDINANCE AND THE COLORADO DEMOLITION ACT. ALL DEMOLITION SHALL BE PERFORMED IN ACCORDANCE WITH THE CITY OF AURORA DEMOLITION ORDINANCE AND THE COLORADO DEMOLITION ACT.
- ALL DEMOLITION SHALL BE PERFORMED IN ACCORDANCE WITH THE CITY OF AURORA DEMOLITION ORDINANCE AND THE COLORADO DEMOLITION ACT. ALL DEMOLITION SHALL BE PERFORMED IN ACCORDANCE WITH THE CITY OF AURORA DEMOLITION ORDINANCE AND THE COLORADO DEMOLITION ACT.
- ALL DEMOLITION SHALL BE PERFORMED IN ACCORDANCE WITH THE CITY OF AURORA DEMOLITION ORDINANCE AND THE COLORADO DEMOLITION ACT. ALL DEMOLITION SHALL BE PERFORMED IN ACCORDANCE WITH THE CITY OF AURORA DEMOLITION ORDINANCE AND THE COLORADO DEMOLITION ACT.
- ALL DEMOLITION SHALL BE PERFORMED IN ACCORDANCE WITH THE CITY OF AURORA DEMOLITION ORDINANCE AND THE COLORADO DEMOLITION ACT. ALL DEMOLITION SHALL BE PERFORMED IN ACCORDANCE WITH THE CITY OF AURORA DEMOLITION ORDINANCE AND THE COLORADO DEMOLITION ACT.

POWER PLAN NOTES:

- REMOVE ALL EXISTING ELECTRICAL CONNECTIONS TO EXISTING ELECTRICAL CONNECTIONS.
- REMOVE ALL EXISTING ELECTRICAL CONNECTIONS TO EXISTING ELECTRICAL CONNECTIONS.
- REMOVE ALL EXISTING ELECTRICAL CONNECTIONS TO EXISTING ELECTRICAL CONNECTIONS.
- REMOVE ALL EXISTING ELECTRICAL CONNECTIONS TO EXISTING ELECTRICAL CONNECTIONS.
- REMOVE ALL EXISTING ELECTRICAL CONNECTIONS TO EXISTING ELECTRICAL CONNECTIONS.
- REMOVE ALL EXISTING ELECTRICAL CONNECTIONS TO EXISTING ELECTRICAL CONNECTIONS.
- REMOVE ALL EXISTING ELECTRICAL CONNECTIONS TO EXISTING ELECTRICAL CONNECTIONS.
- REMOVE ALL EXISTING ELECTRICAL CONNECTIONS TO EXISTING ELECTRICAL CONNECTIONS.
- REMOVE ALL EXISTING ELECTRICAL CONNECTIONS TO EXISTING ELECTRICAL CONNECTIONS.
- REMOVE ALL EXISTING ELECTRICAL CONNECTIONS TO EXISTING ELECTRICAL CONNECTIONS.



ELECTRICAL PLAN
SCALE: 1/8"=1'-0"