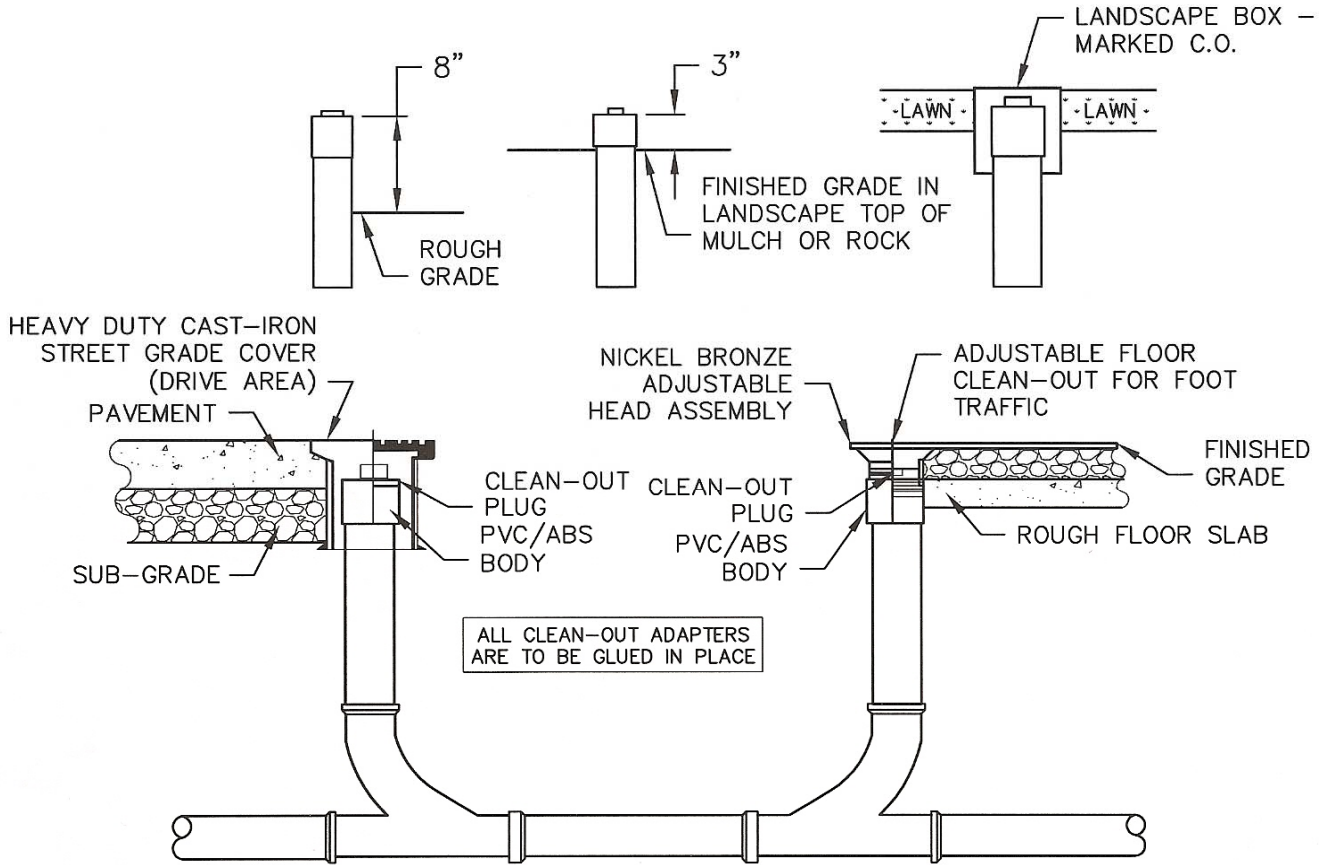


**CITY AND COUNTY OF DENVER
DEPARTMENT OF PUBLIC WORKS**

SECTION 2: SANITARY PLANNING CRITERIA

FIGURE 2.11.1 - BUILDING SEWERS SERVICE LINE CLEAN-OUT



SERVICE LINE CLEAN-OUT

